

# COMAR **AccuCup™**

*When Dosing Accuracy is Important!*



55 Years of Quality, Innovation and Service



## **VISUALLY ACCURATE, PRINTED DOSAGE CUP**

Comar's latest packaging innovation gives you enhanced visibility when measuring liquid medication, enabling an accurate dose to the patient. Instead of molded-embossed lines that can be difficult to read, Comar prints easy-to-read lines on the outside of the cup. Comar offers a "Stock" AccuCup design with standard print calibrations for smaller purchase-volume requirements or a "Standard" blank cup design that can be printed with custom calibrations, instructions and a logo in up to 2 colors! Custom ribs can also be designed into the "Standard Blank Cup" for a unique cap fit!

### **AccuCup Features**

- Printed measurement markings for improved visibility
- Stock Printed Cup with standard tsp and mL markings
- Standard blank cup design permits Custom Printing for specific measurements, brand and dosing instructions
- 360° Printing in up to 2 select colors
- FDA compliant food grade inks
- Durable printing on the outside with no product contact
- Can be "Custom Cored" for a perfect bottle cap fit

[ YOUR PACKAGING SOLUTION ]

# THE BENEFITS OF COMAR'S AccuCup™ PRODUCT LINE

## ■ INNOVATIVE

- First Commercialized Printed Cup
- Flexibility of Custom Print on Standard Molded Cup

## ■ ACCURATE

- High Contrast, Visually Easier to Read and Measure a Proper Dose
- 100% Vision Inspected

## ■ SAFE

- FDA Compliant Food Grade Inks and Polypropylene Plastic
- Printing on Outside — No Product Contact

## ■ EFFICIENT STANDARD CUP MOLDED DESIGN

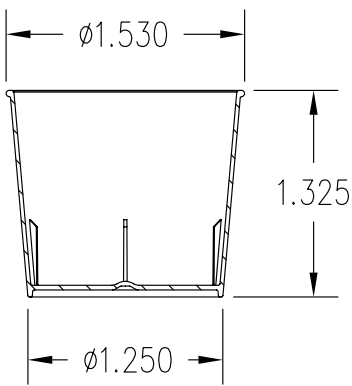
- 4 tsp/20mL Standard Cup Volume
- Fits Several 24mm CR Closures
- Standard Friction-Fit Rib Design
- Use with TE Shrink Bands

## ■ EASY AND COST EFFECTIVE CUSTOMIZATION

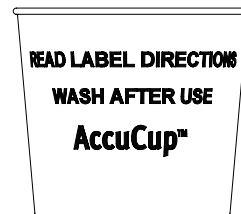
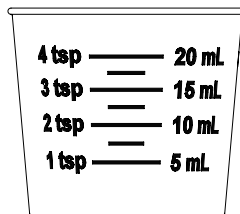
- Custom Print Plates
- Custom Rib Fit Down to 22mm CR Closure
- Up to 2 Custom Printed Colors

## ■ DURABLE AND REUSABLE

- UV Cured Ink
- Washable and Reusable



## Standard Cup Markings and Design



Actual Size

## COMAR'S LIQUID DISPENSING SOLUTIONS FOR PATIENT SAFETY

### Comar Oral Dispenser (COD™) Product Line

#### ORAL DISPENSER

- 2 Piece (Patented) System for Patient Safety
- Radiation Grade Resin
- 1, 3, 5, 10 mL Sizes
- Red, Yellow, Green and White Plungers for Color Coding and Patient Safety
- Clear, Amber and Color Tinted Barrels

#### TIP CAPS AND STANDS

- Tip Cap Seals A Liquid Filled Oral Dispenser
- No-Choke Seal Minimizes Choking Hazard

#### PRESS-IN BOTTLE ADAPTERS

- 20, 24, 28 and 33mm Sizes
- Easy, Spill-Free Filling of Oral Dispensers
- Innovative Design Works with Glass or Plastic
- Low Profile Allows use of Standard Closure to Seal Bottle

#### UV AMBER BARRELS

- Meets USP <661> for Light Transmission
- Great for Light Sensitive Liquids, Creams and Gels



We also stock a large variety of Liquid Dispensing Products that are readily available.

Visit Comar's Online Catalog at [www.comar.com/ecatalog](http://www.comar.com/ecatalog) to view Liquid Dispensing Products that are readily stocked. Distributors, please visit [www.comar.com/distributors](http://www.comar.com/distributors) to access the Comar Distributor Resource Center. To learn more about Comar's Liquid Dispensing Products, visit [www.comar.com/oraldispensers](http://www.comar.com/oraldispensers)

